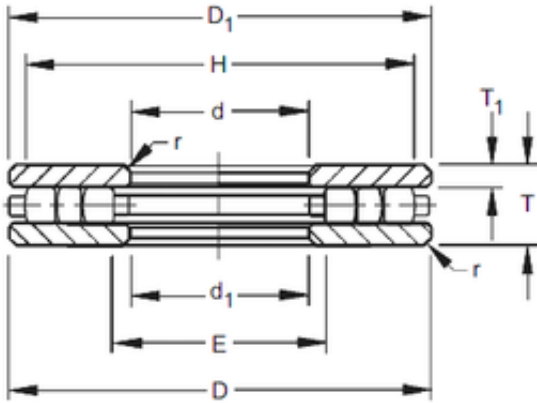


d1 - Large Bore I.D. TIMKEN 220TP176 Thrust cylindrical roller bearings

Bearing No. 220TP176



220TP176 Bearing 2D drawings and 3D CAD models

Size	558.8x863.6x152.4 mm
Bore Diameter	558,8 mm
Outer Diameter	863,6 mm
Width	152,4 mm
d	558,8 mm
D	863,6 mm
T	152,4 mm
r max	6,4 mm
T1	42,07 mm
d1	562 mm
D1	860,4 mm
E	584,2 mm
H	838,2 mm